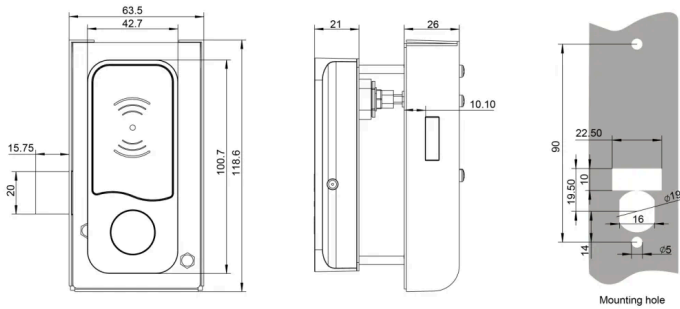




RF-732

RFID MIFARE-1 LOCK

The RF-732 is a split panel RFID lock, which is easily switchable between public and private use modes. The RF-732 is also compatible with existing Mifare-1 systems, making it a great addition to your existing locks.



PRODUCT INFORMATION

FEATURES

- RFID card functionality
- Powered by 3x AA batteries (not included)
- 3-level management: Main admin, admin, and user
- Main admin and admin RFID cards available to purchase
- Users RFID cards available to purchase
- Can be set up to have multiple RFID cards capable of accessing the locker
- LED in-use indicator
- Easily switch between public and private use modes
- Auto latch release
- 1-year product warranty

LOCKER COMPATIBILITY

	COMPATIBLE	NOT COMPATIBLE
Laminate Locker	•	
ABS Plastic Locker		•
HD Plastic Locker		•
HD Waterproof Locker		•
Carousel Locker		•
Mobile Phone Locker		•
Laptop Locker		•
HD School Locker		•
Steel Locker		•

TECHNICAL SPECIFICATONS

LOCK CODE	LOCK NAME
LKMK 0732RF	RF-732 RFID Mifare-1 Lock