

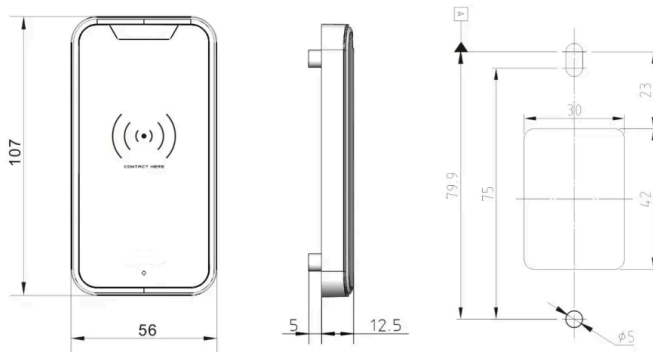


## **RF-1703**

### **RFID MIFARE-1 LOCK**

The RF-1703 is a medium-sized Mifare-1 RFID lock that is compatible with existing Mifare-1 systems. Switchable between public or private modes, the RF-1703 is simple and easy to operate, perfect for lock units with high foot traffic.





## PRODUCT INFORMATION

### FEATURES

- RFID card functionality
- Split body and back panel
- Powered by 4x AA batteries (not included)
- Externally accessible micro USB power port
- 4-level management: Management card, main card, service card, and guest user card
- Additional RFID cards available to purchase
- Easily switch between public and private mode
- Auto latch release
- 1-year product warranty

### LOCKER COMPATIBILITY

	COMPATIBLE	NOT COMPATIBLE
Laminate Locker	•	
ABS Plastic Locker		•
HD Plastic Locker		•
HD Waterproof Locker		•
Carousel Locker		•
Mobile Phone Locker		•
Laptop Locker		•
HD School Locker		•
Steel Locker		•

### TECHNICAL SPECIFICATIONS

LOCK CODE	LOCK NAME
LKWT 1703RF	RF-1703 RFID Mifare-1 Lock